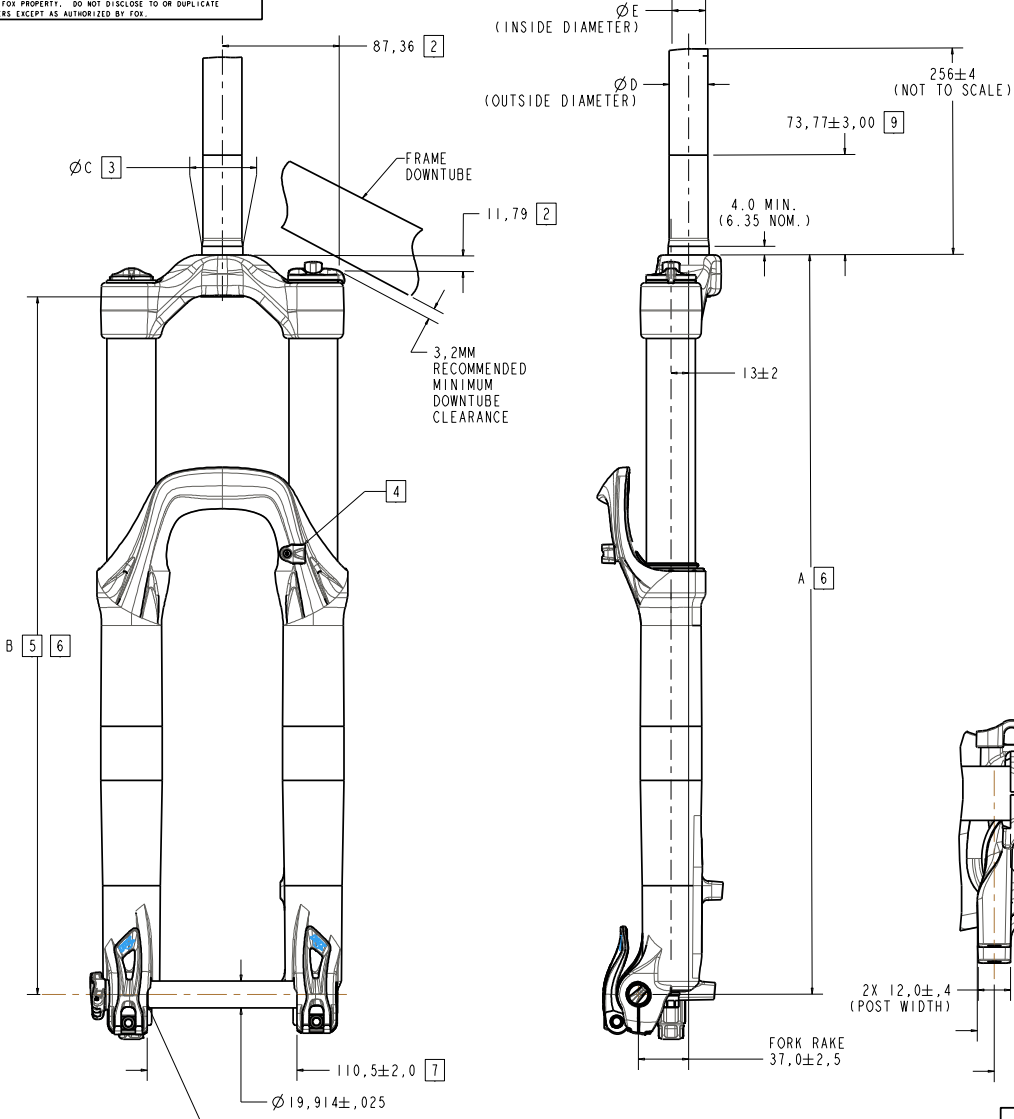


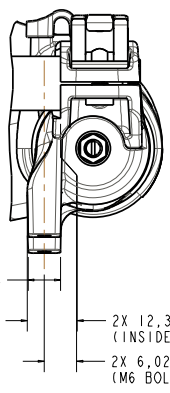
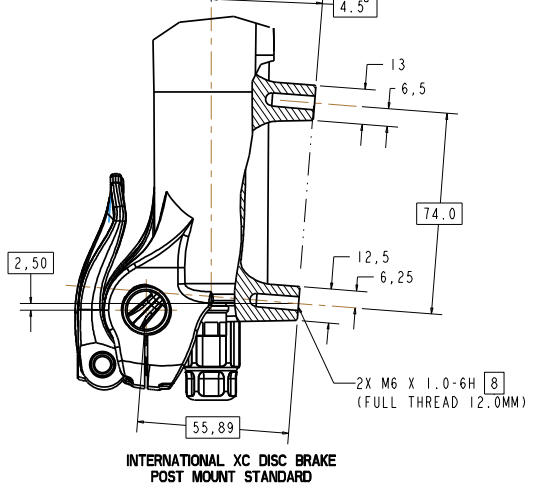
— PROPRIETARY —
THIS DOCUMENT CONTAINS CONFIDENTIAL, PROPRIETARY INFORMATION THAT IS FOX PROPERTY. DO NOT DISCLOSE TO OR DUPLICATE FOR OTHERS EXCEPT AS AUTHORIZED BY FOX.

REVISIONS				
ZONE	REV	DESCRIPTION	DATE	APPROVED
	A	RELEASE FOR DISTRIBUTION	24 NOV 08	B BECKER

D
C
B
A



- NOTES: (UNLESS OTHERWISE SPECIFIED)
- DRAWING NOT TO SCALE: FOX RACING SHOX RESERVES THE RIGHT TO CHANGE SPECIFICATIONS WITHOUT NOTICE.
 - DIMENSIONS SHOWN ARE TO THE TALLEST KNOB IN THE HIGHEST POSITION FOR ALL 36 MODELS.
 - OUTSIDE DIAMETER OF STEERER IS MEASURED "FRONT TO BACK" AND "LEFT TO RIGHT" RIDER'S PERSPECTIVE AND AVERAGED. INSIDE DIAMETER OF HEADSET CUP MUST NOT BE LESS THAN ØC DIAMETER + 0.30MM.
 - DISC BRAKE HOSE/CABLE GUIDE AND FASTENER IS INCLUDED WITH FORK.
 - TIRE SIZE LIMIT IS 26 X 2.80 INCH WIDE. ANY TIRE SIZE GREATER THAN 2.6 INCH WIDE MUST BE CHECKED WITH FORK FULLY COMPRESSED AND HAVE A MINIMUM OF 6.0 MM "TIRE TO CROWN" CLEARANCE.
 - DIMENSIONS IN PARENTHESIS ARE WITH FORK FULLY COMPRESSED. DIMENSIONS FOR ALL AIR FORKS ARE BASED ON MEDIUM RIDER WEIGHT AIR PRESSURE SETTING.
 - FORK USES STANDARD 20MM ID X 110MM WIDE DH HUB. AXLE IS INCLUDED WITH FORK.
 - DISC BRAKE CALIPER MOUNT BOLTS MUST HAVE 10-12 MM OF THREAD ENGAGEMENT. TORQUE BOLTS TO MANUFACTURER'S SPECIFICATION. BOLT TORQUE MUST NOT EXCEED 90 IN-LB.
 - THE UPPER HEADSET AND UPPER HEADSET CUP MUST BE 76.77 MM ABOVE THE CROWN RACE SURFACE. THE INSIDE DIAMETER OF THE UPPER HEADSET CUP MUST BE GREATER THAN 28.88MM.
 - FORK IS ONLY TO USE DISC BRAKES. FORK IS DESIGNED TO USE 160-205 MM DISC ROTORS. FORK CALIPER MOUNTING BOLT PATTERN IS MADE TO INTERNATIONAL XC DISC BRAKE POST MOUNT STANDARD.
 - FOX FORK ARE NOT TO BE USED ON ANY TANDEM BICYCLE, ELECTRIC OR ENGINE DRIVEN MOTORCYCLE.



Ø25.85 X 3.25 DEEP HUB COUNTERBORES

ALL 36 FLOAT, TALAS AND VAN 160mm TRAVEL FORKS					
	A ± 5.0mm	B ± 5.0mm	C ± .030mm	D ± .05mm	E ± .15mm
1-1/8" STEERER	545.3 (385.3)	514.4 (354.4)	Ø30.036	Ø28.58	Ø24.66

ITEM NO.	QTY.	PART NUMBER	DESCRIPTION	MATERIAL SPEC
		PER ASME Y14.5M 1994		
		UNLESS OTHERWISE SPECIFIED DIMENSIONS ARE IN MM.		
		TOLERANCES ARE:		
		DECIMALS: .X ± 0.25		
		ANGLES: ± 1°		
		XX ± 0.13		
		THIRD ANGLE PROJECTION		
		APPROVALS		
		DATE		
		130 Hangar Way, Watsonville, CA 95076 USA, Ph 831-768-1100, Fax 831-768-9312		
		2010 FOX 36 FORK WITH 1-1/8 STEERER USER SPECIFICATION		
		PART NO. N/A		
		SIZE C		
		PLOT SCALE: 1.00:1		
		SHEET 1 OF 1		

4 3 2 1